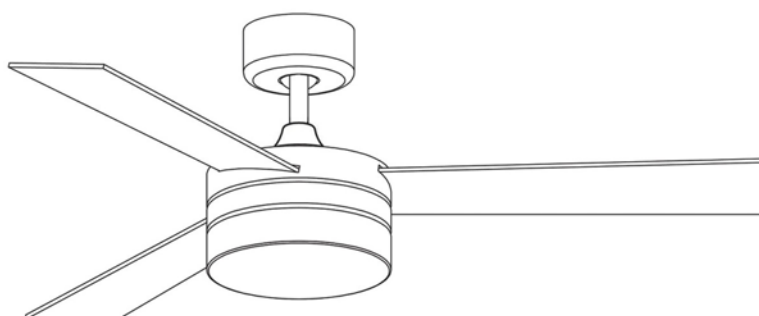


GLOBO

FAN

0333

www.globo-lighting.com

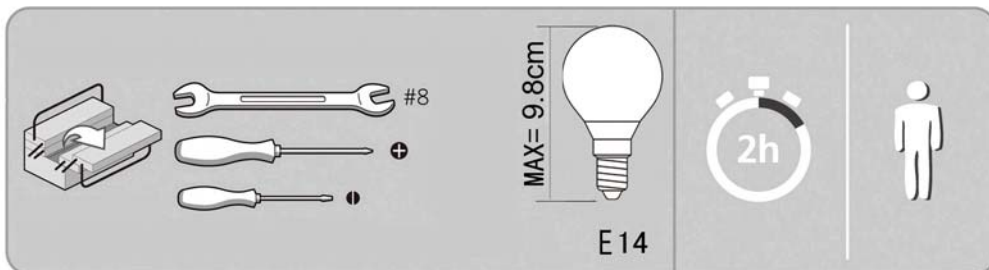
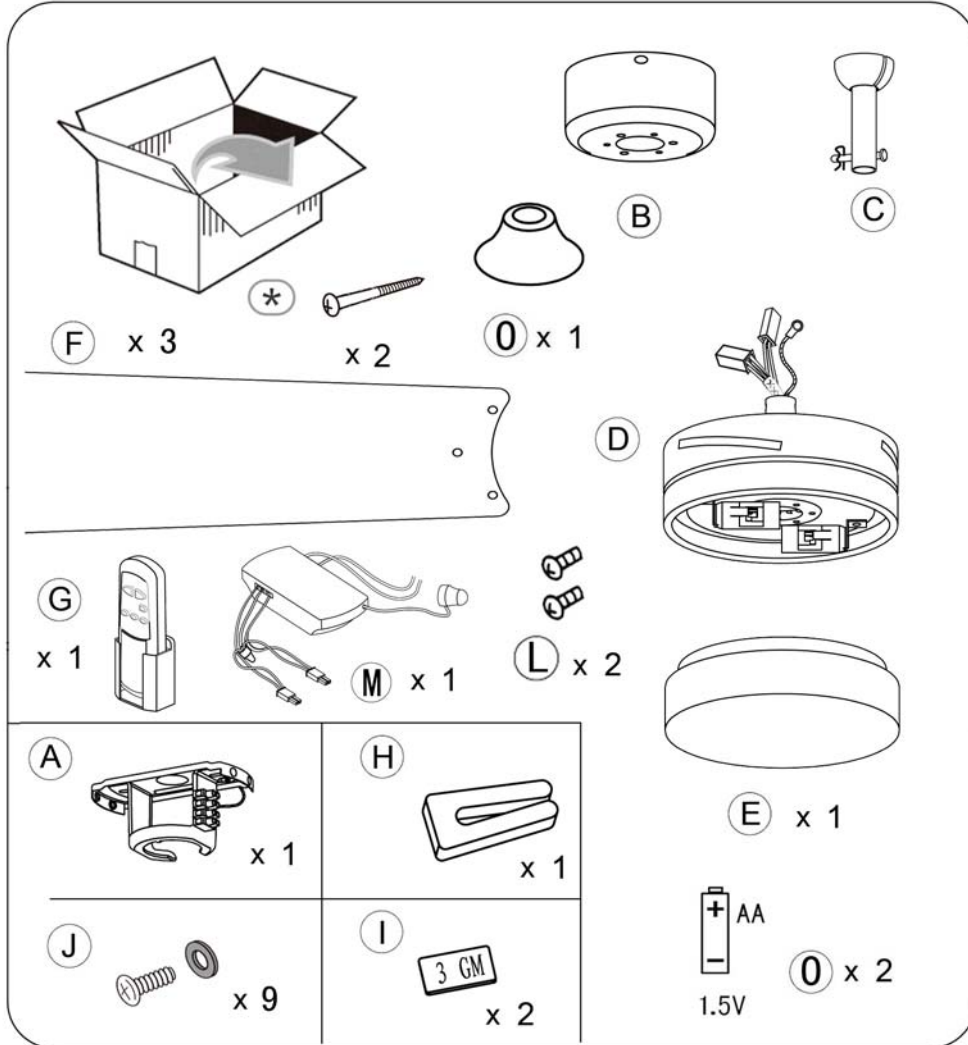


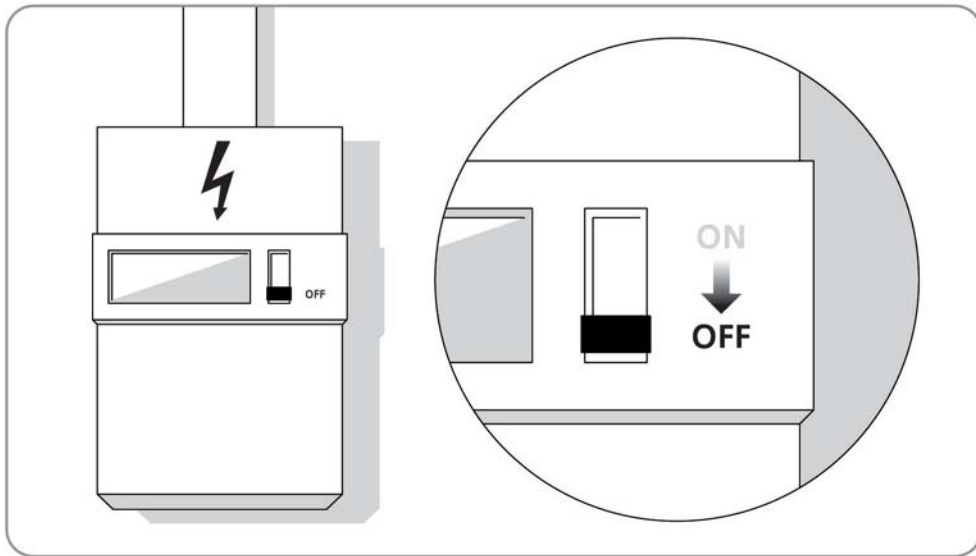
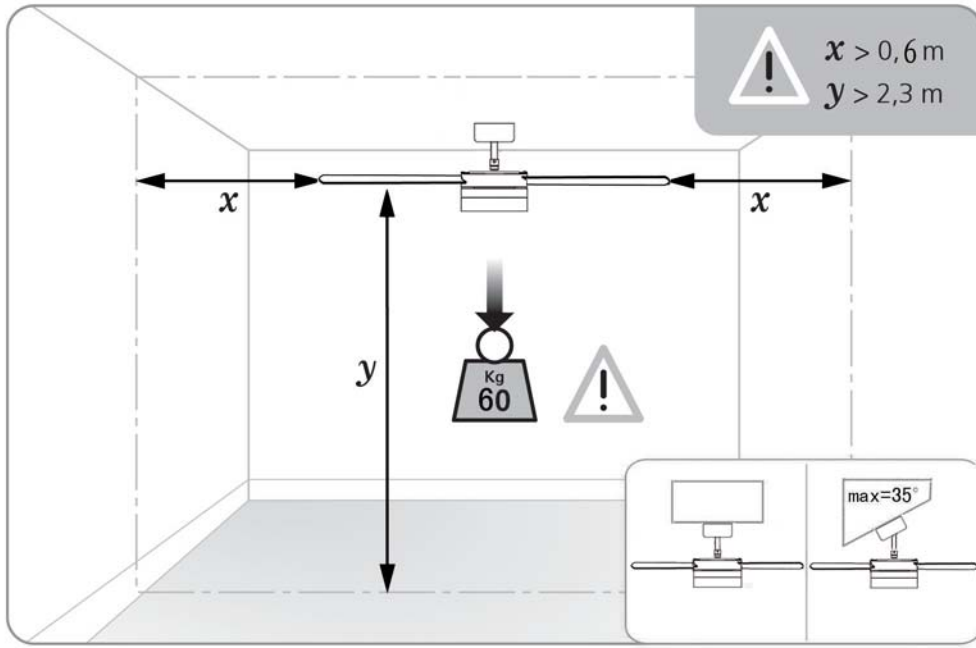
GLOBO Handels GmbH

St.Peter 38
A-9184 St.Jakob/Rosental

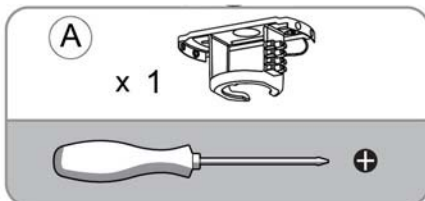
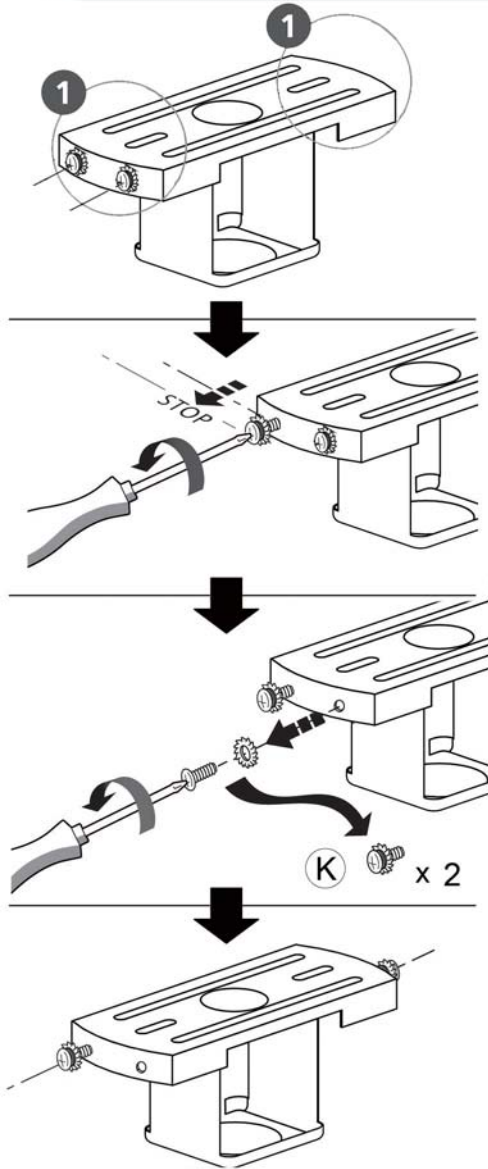
LCL42+1DISC
INPUT: 220-240V~50Hz
MOTOR: 50W
BULB: 2 x max 40W E14 excl.



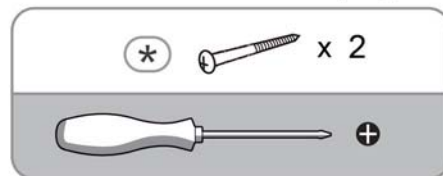
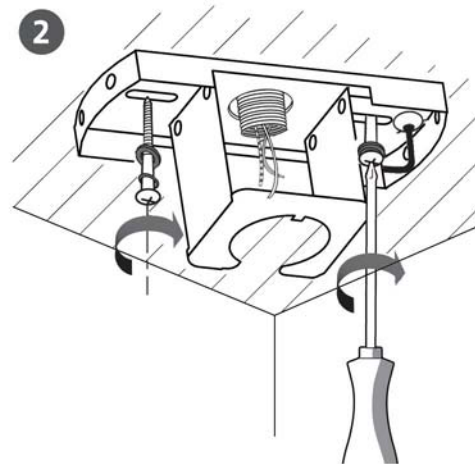




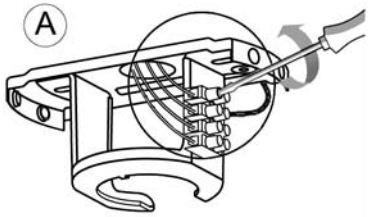
1



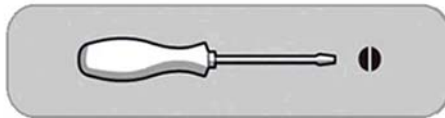
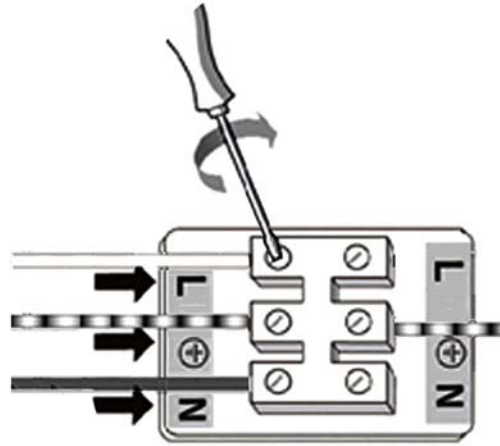
2



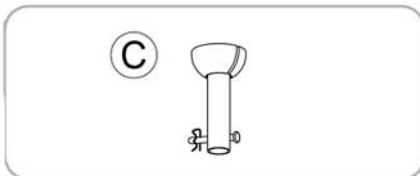
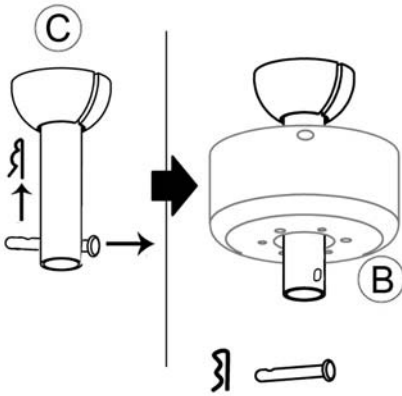
3



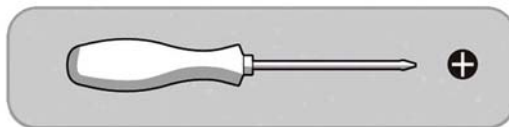
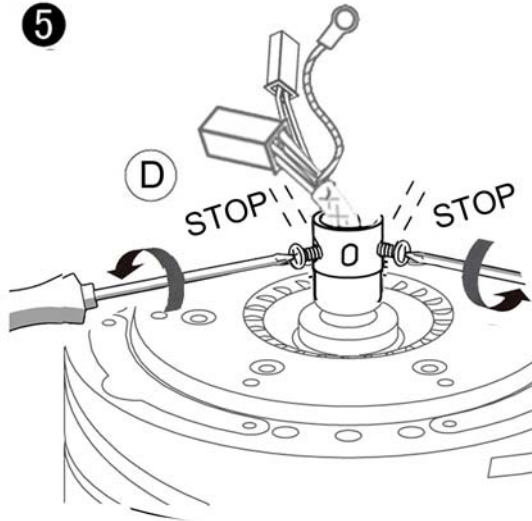
230V ~



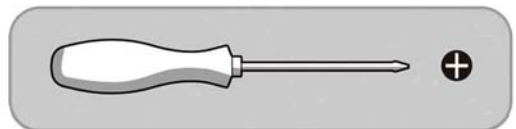
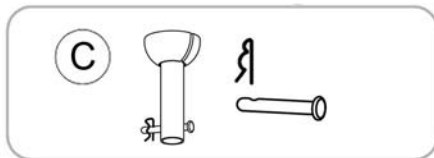
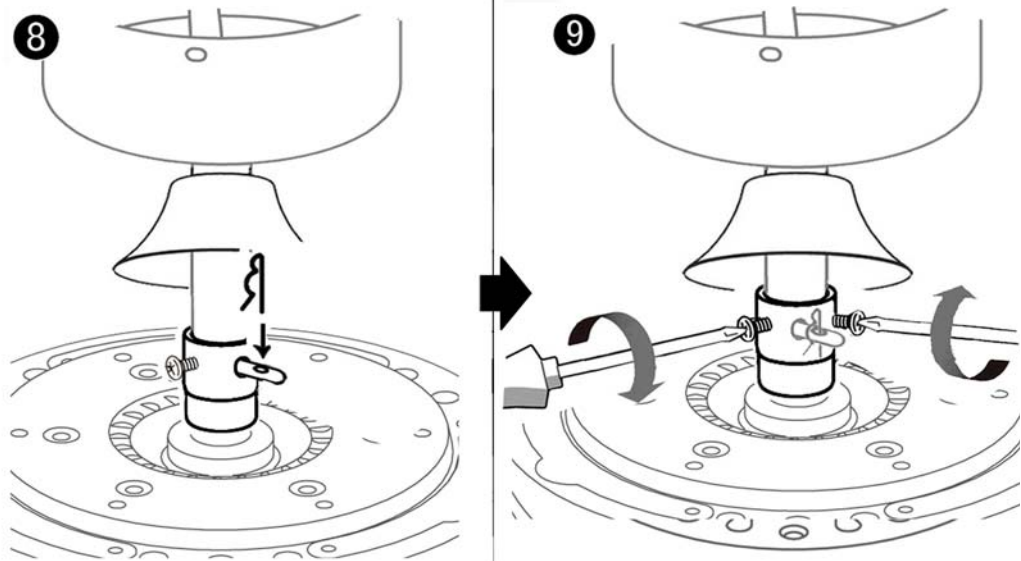
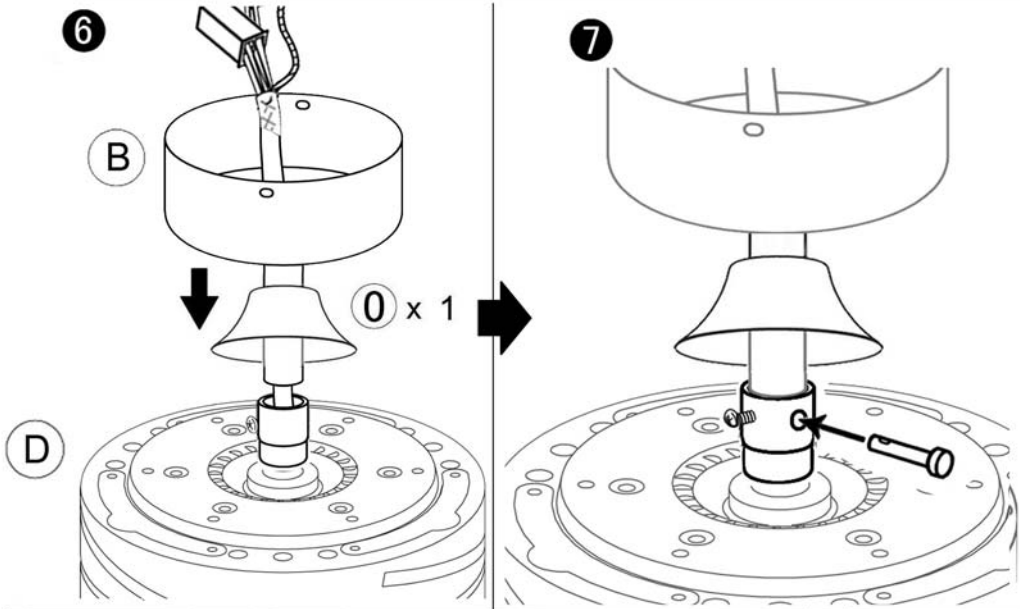
4

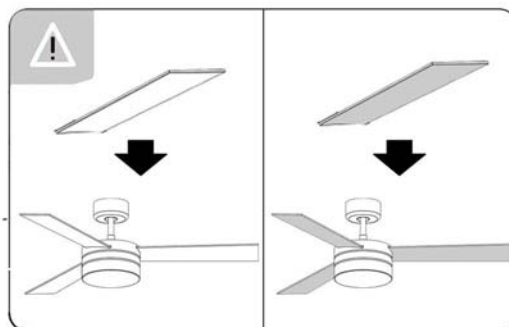
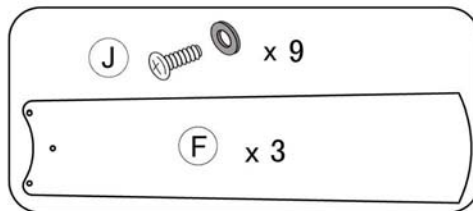
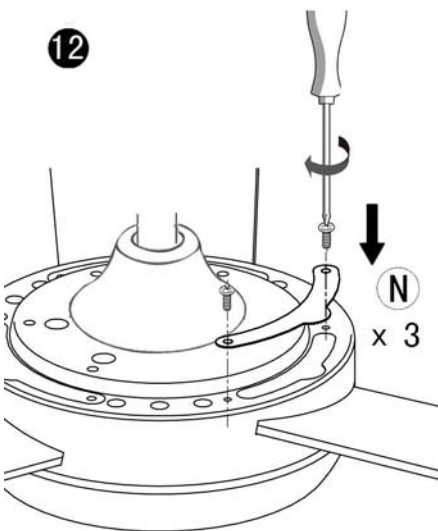
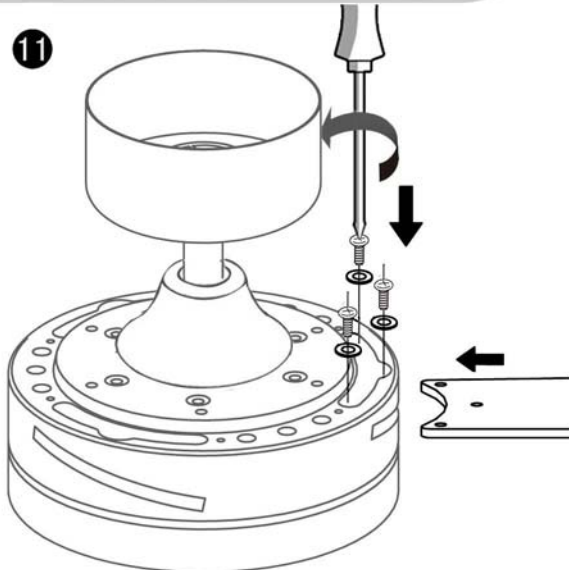
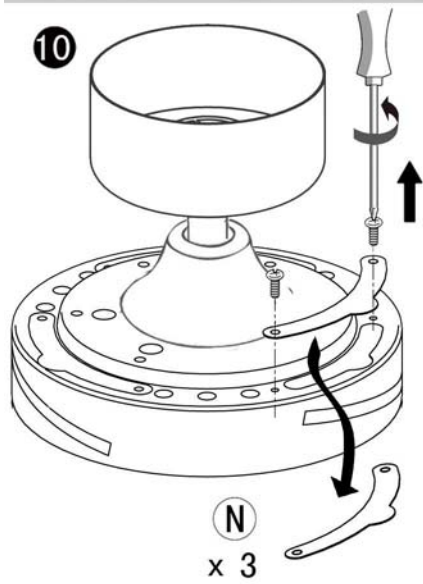


5



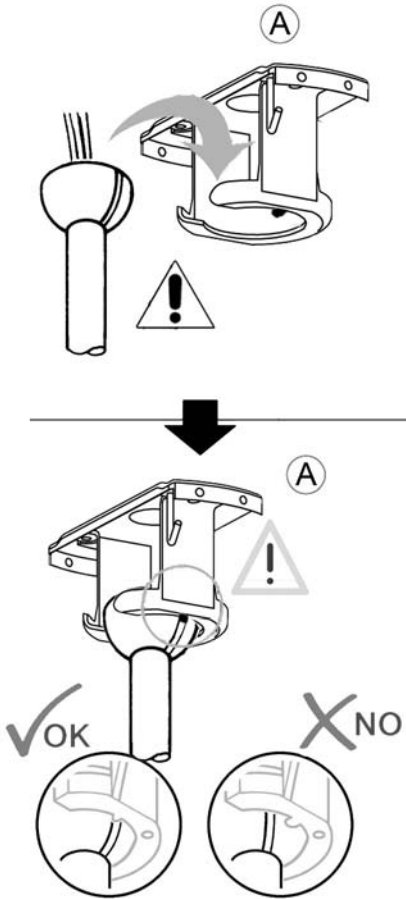
3



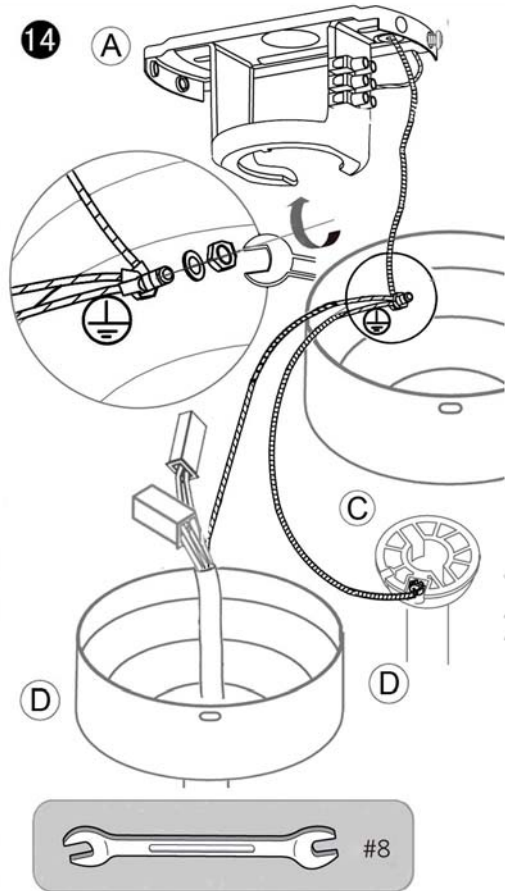


5

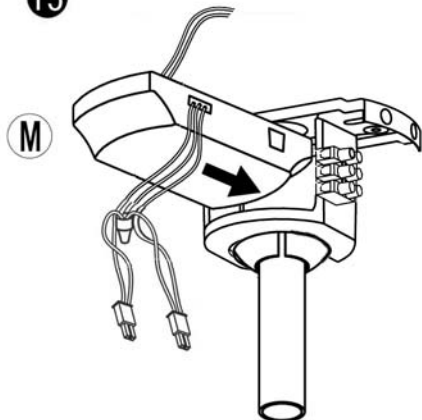
13

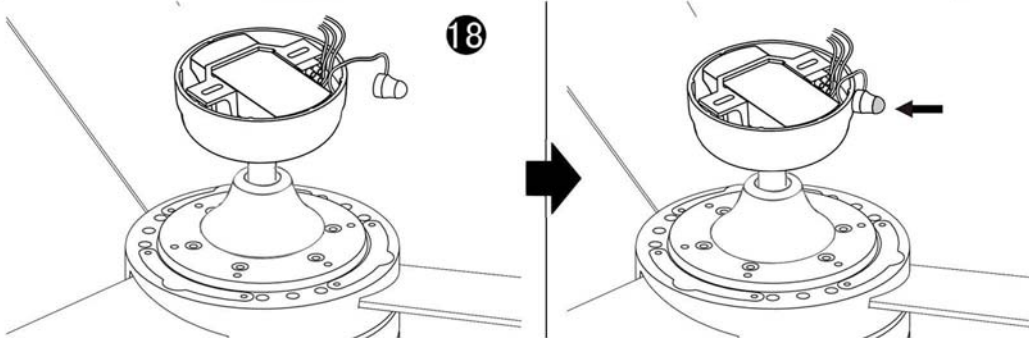
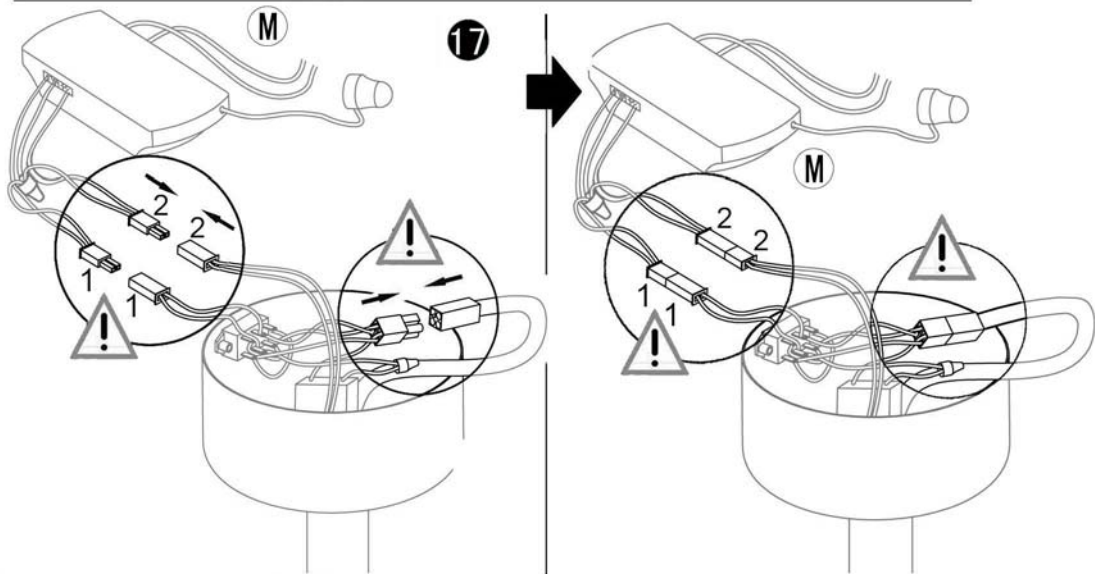
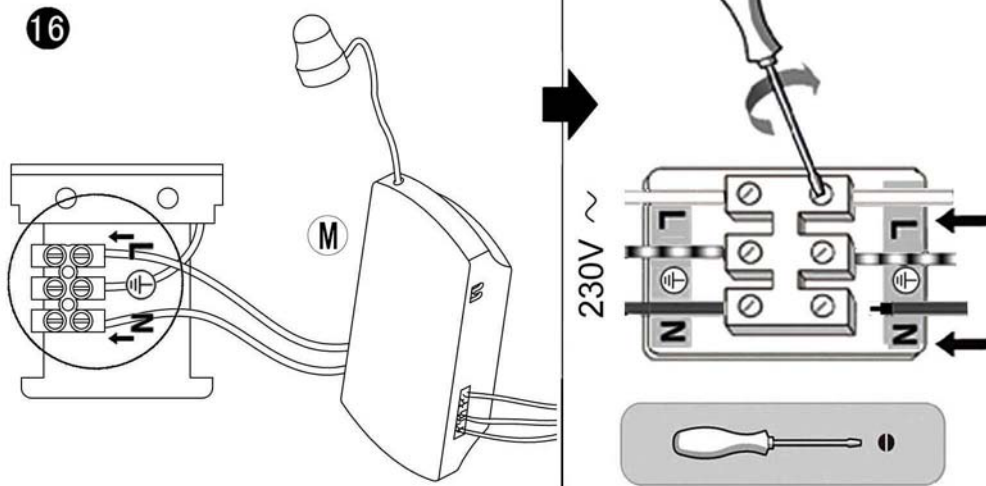


14



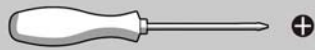
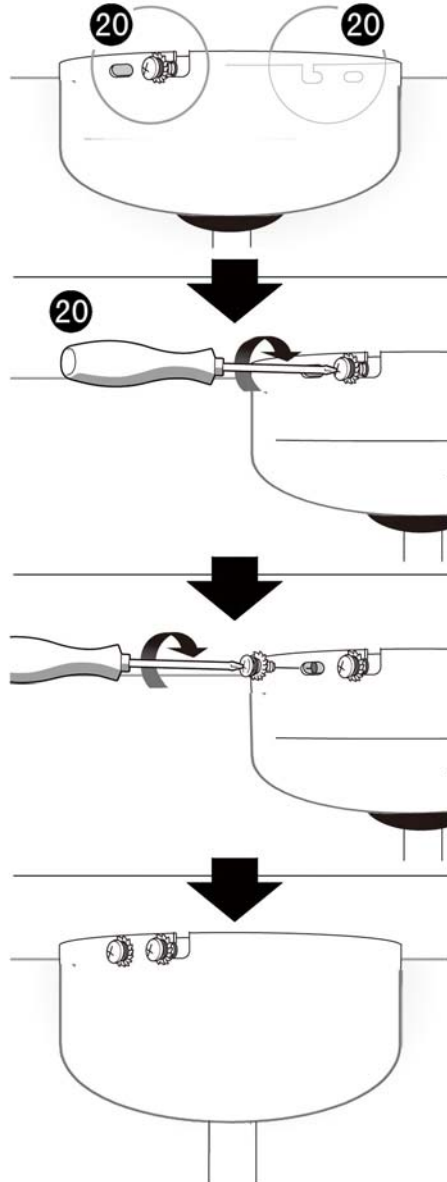
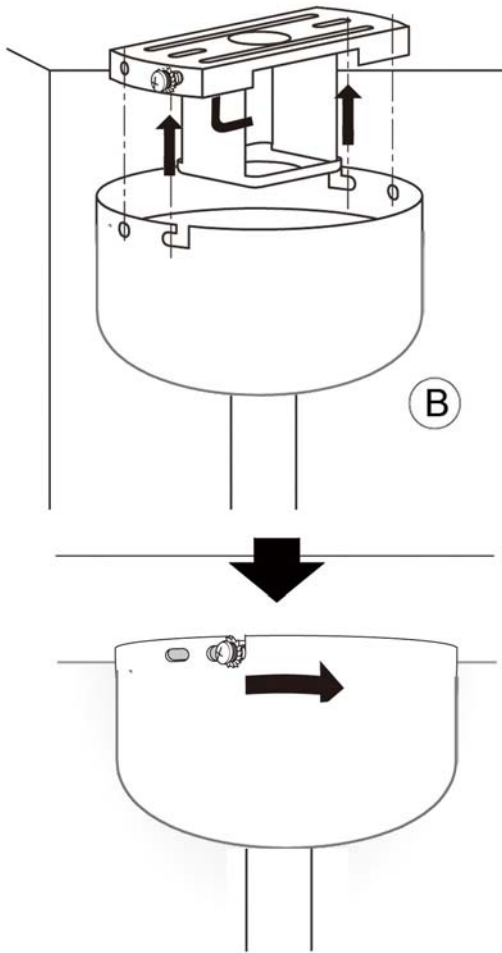
15



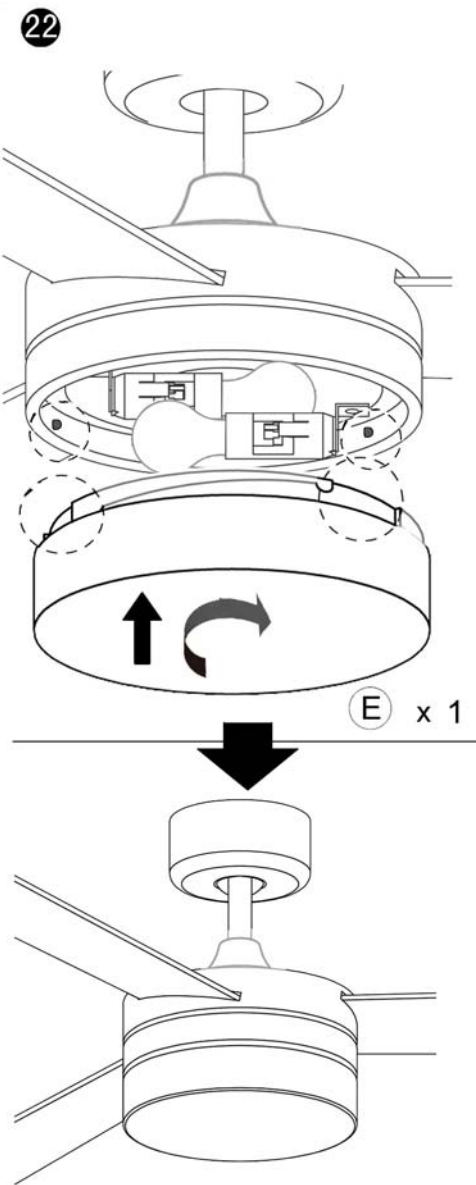
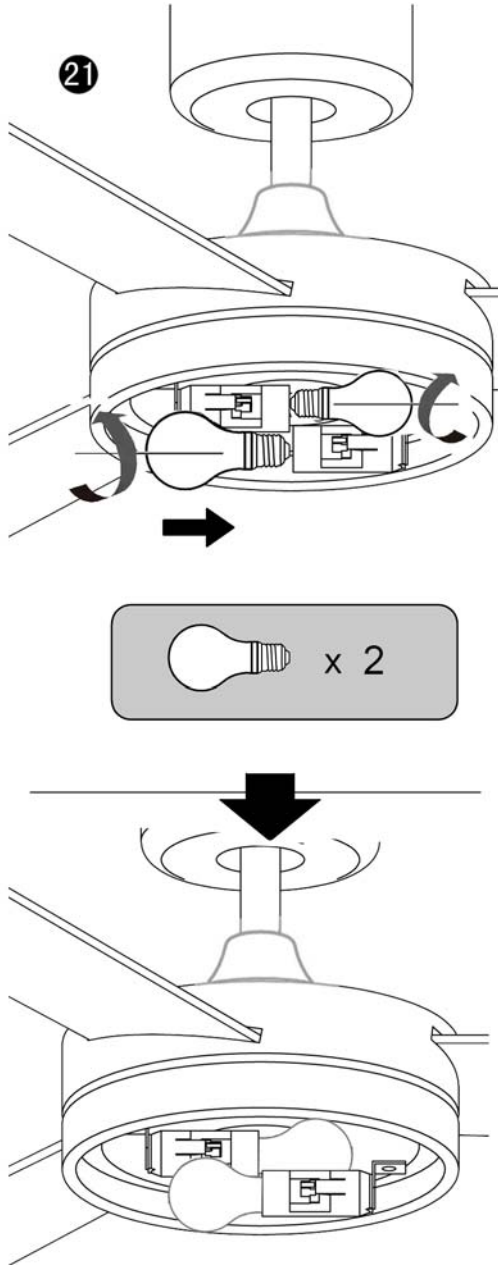


7

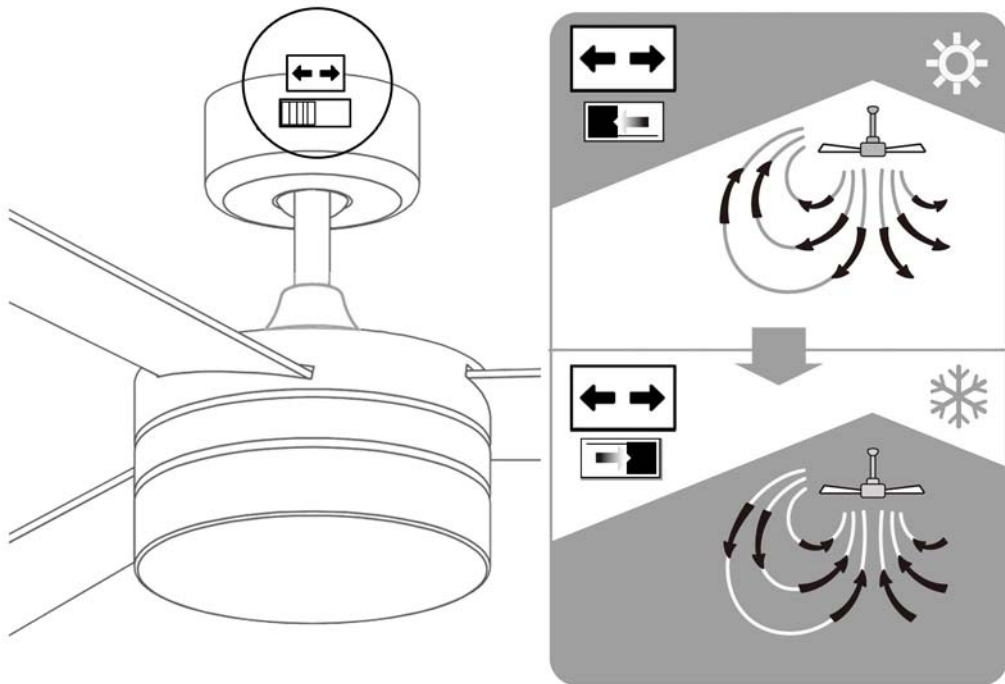
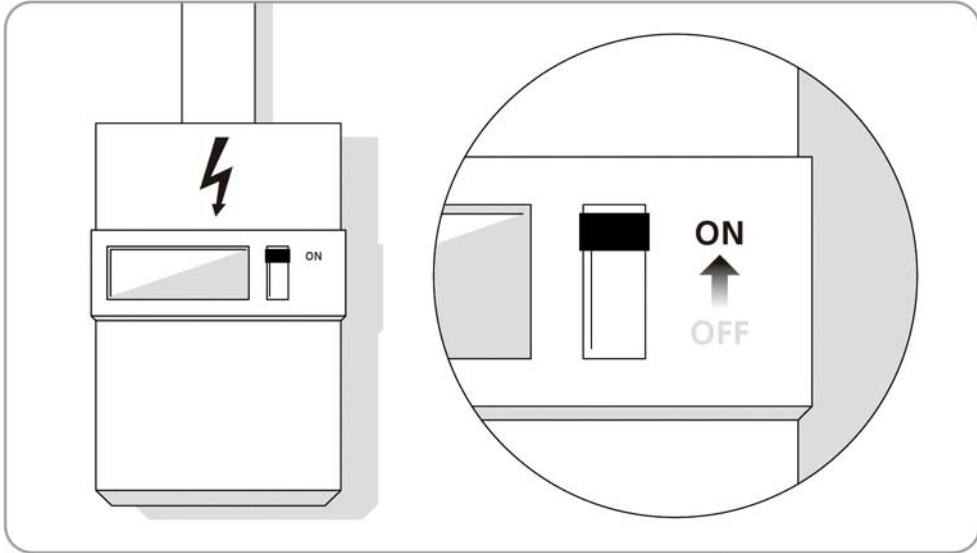
19



(K)  x 2

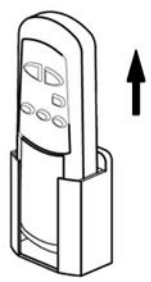


9

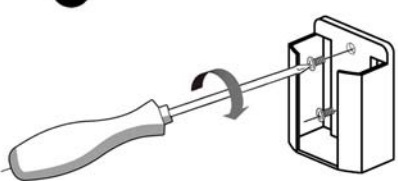


23

G

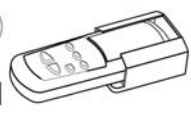


24



G

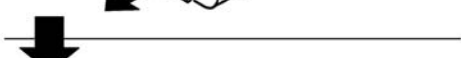
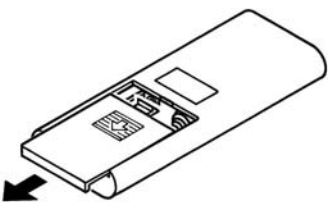
x 1



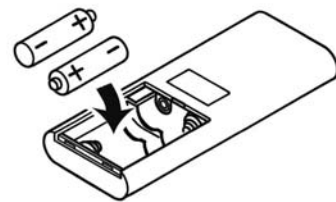
L

x 2

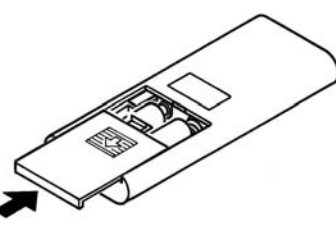
25



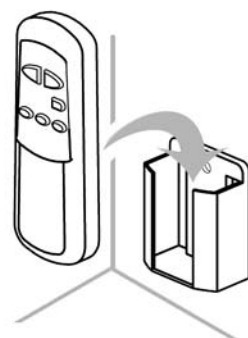
26



27



28



AA
1.5V

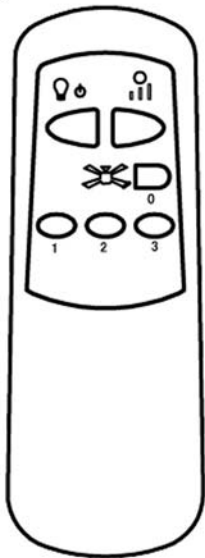
0

x 2

G



29



G

